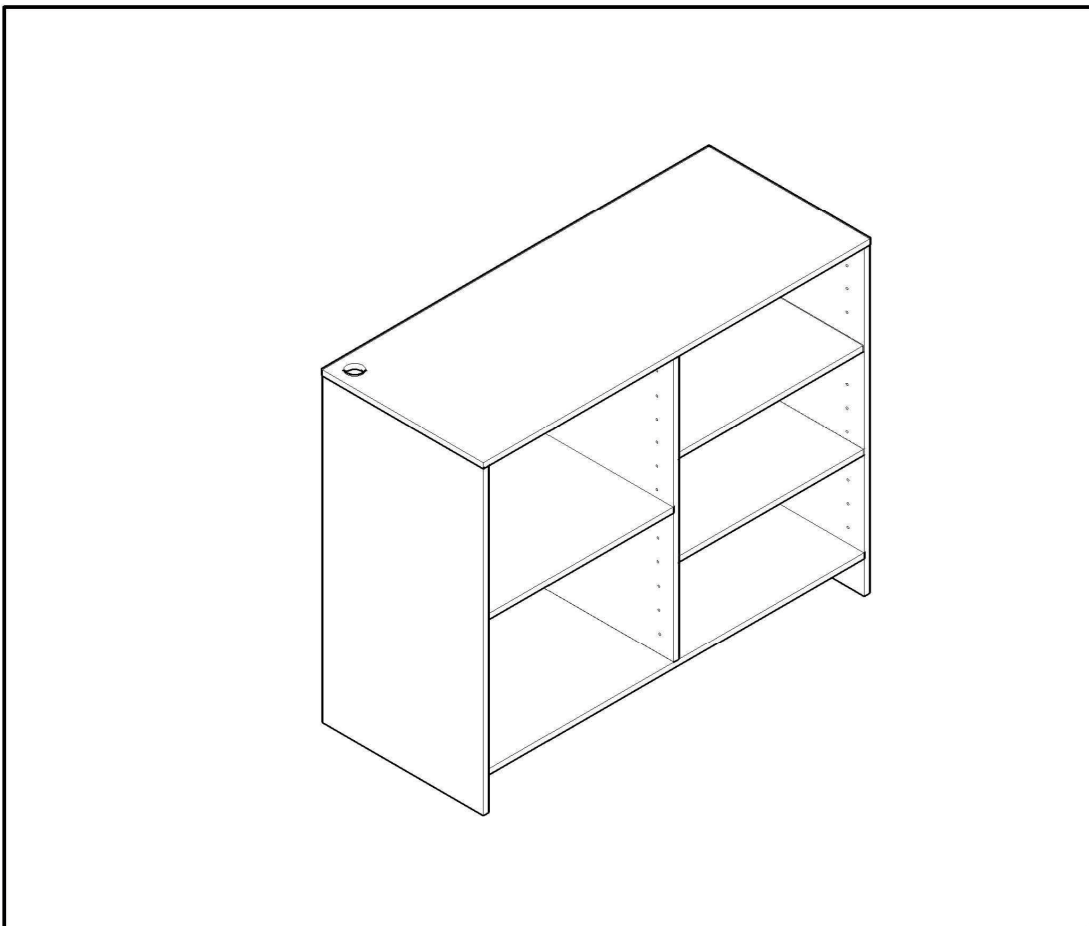


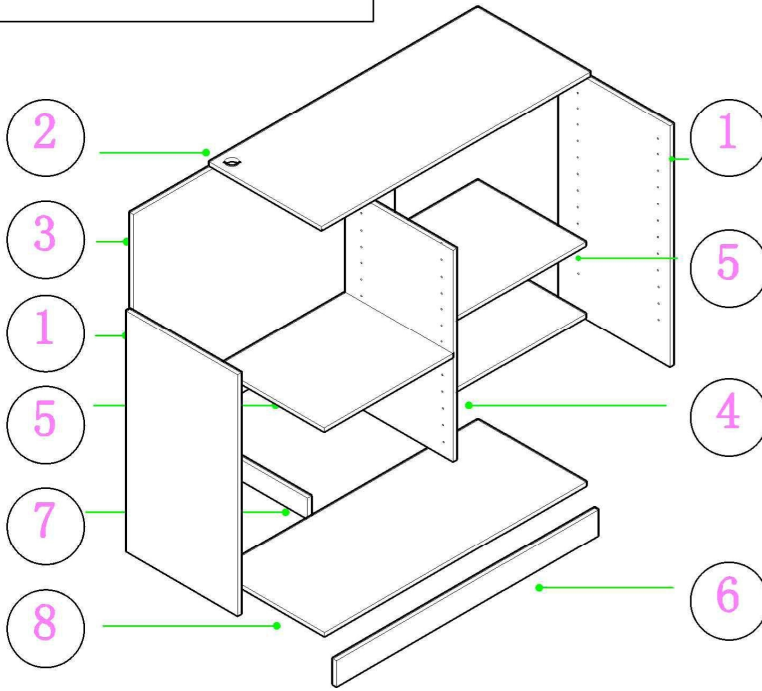
# ASSEMBLY INSTRUCTIONS MANUAL

## POINT OF SALES TIMBER COUNTER

**SW702-1200** 1200mm (D) × 500mm (W) × 950mm (H)



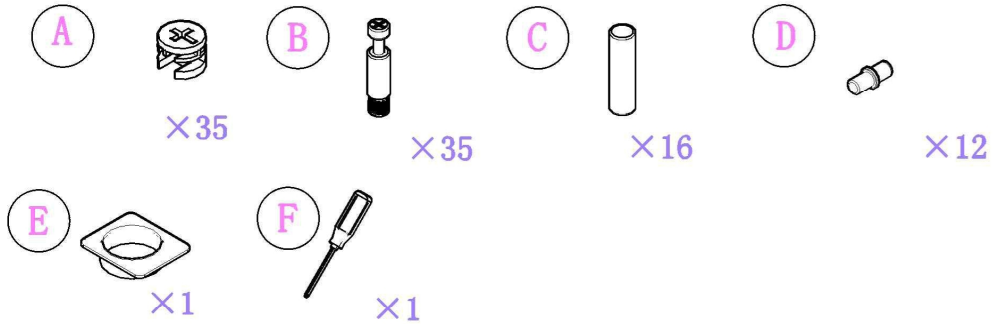
## IDENTIFY PARTS:



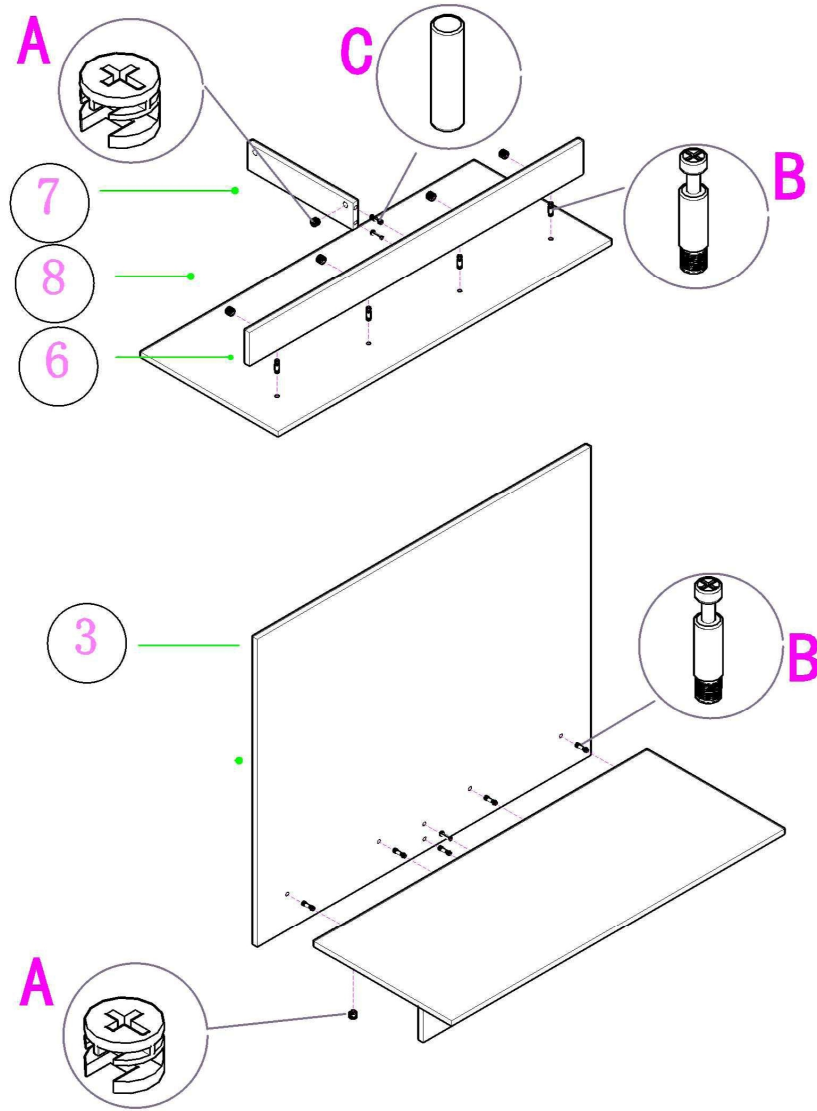
Please check below measurement sizes to identify parts:

Item	Size	Qty
1	935*498*15	2
2	1200*500*15	1
3	1168*935*15	1
4	819*480*15	1
5	575*478*15	3
6	1168*100*15	1
7	1168*481*15	1

## HARDWARE CONTENTS:



STEP 1



STEP 2

